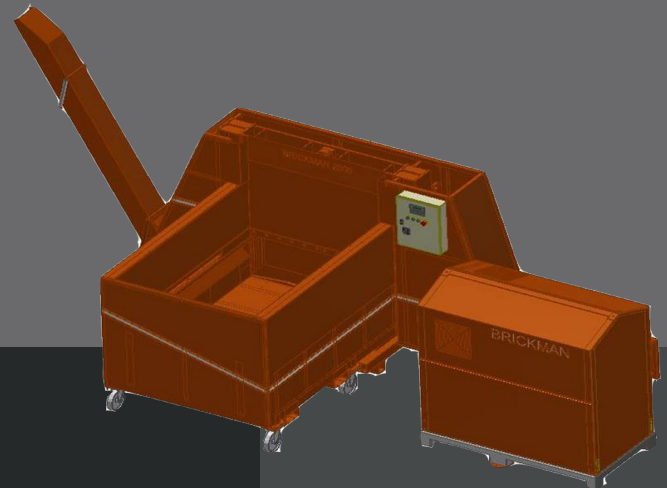


BRICKMAN 2000K

BRICKMAN

BRICKMAN 2000K IS OUR REAL HEAVY DUTY VERSION DEVELOPED TO MAKE THE TASK OF COMPACTING EXTRA LARGE QUANTITIES OF BULKY WASTE, SUCH AS CARDBOARD AND PET BOTTLES AS SIMPLE AS POSSIBLE.

The automated solution is time-saving and convenient and Brickman 2000K has the capacity to process up to 25 000 empty PET-bottles per hour!



Automatic solution



1500 KG/H

CAPACITY
CARDBOARD

Orwak benefits

MORE PRODUCTIVE USE OF TIME

Less time spent on waste handling, more time for your core activities!

MORE SPACE & ORDER

Our balers rapidly minimizes the space the waste takes up, keeping aisles free and tidy.

LESS COSTS, MORE VALUE

More compaction = less waste volume to transport. Fewer transports required results in lower transportation costs and reduced CO₂ emissions. Sorting at source yields a higher quality of waste material for recycling.



Why Brickman?

- + Convenient fully automated compaction solution
- + Impressive volume reduction of up to 20:1
- + Placement opportunities indoors

www.orwak.com

 **ORWAK**[®]
PART OF **SULO** GROUP

BRICKMAN 2000K



BRICKMAN 2000K IS OPTIMIZED FOR:

CARDBOARD

+ Corrugated cardboard

CAPACITY

up to 1500 kg/h

PLASTIC

+ PET bottles

CAPACITY

up to 1250 kg/h

DESIGNED FOR HEAVY DUTY

Thanks to the following features, the robust briquette press Brickman 2000K is especially designed for compaction of large volumes of cardboard and empty PET bottles:

- + Extension on press cylinder
- + Automatic greasing of the press plate
- + Reinforced material in press chamber, press plate, cutting blades, guide piston and press loop

OPTIONAL ACCESSORIES

Brickman 2000K can be ordered with a number of accessories; different chute options, start systems, sound absorption plates as well as heating and cooling devices. **NEW OPTION: Silent powerpack for very low sound emission.**

CONVENIENT AND EFFICIENT

Brickman offers time-saving and comfortable waste handling. The press can be fed while running, there is no lid or door to open when loading the material and the ready briquettes require no binding. Furthermore, optional photocells can automate the start function. The material infeed and briquette outfeed are easy to integrate in system solutions.

GREAT LOGISTICS

Thanks to Brickman's compact dimensions, it can be placed indoors close to the waste disposal station.

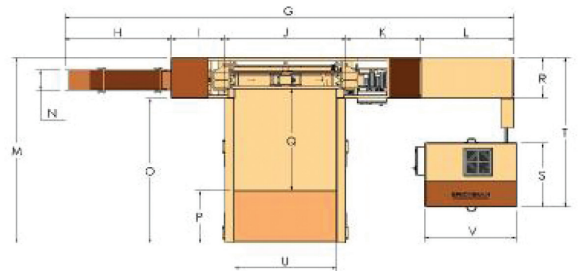
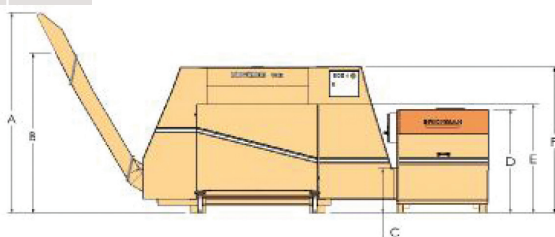
DIMENSIONS & SPECIFICATIONS

DIMENSIONS (MM)

A	B	C	D	E	F	G	H	I	J	K	L	M	N	O	P	Q	R
2470	2010	905	1615	1420	1870	6300	1355	685	1600	920	1180	2430	265	1900	690	1350	535

DIMENSIONS (MM)

S	T	U	V
980	1960	1300	1660



TECHNICAL SPECIFICATIONS

MACHINE WEIGHT	PRESS FORCE	PRESSURE	HOPPER	BRIQUETTE SIZE	DENSITY*	NOISE LEVEL	OPERATING POWER
4000 kg	25 ton, 250 kN	Up to 62 kg/cm ²	2 m ²	200x200x100-300 mm	Up to 400 kg/m ³	80 db (A)	400 V, 3-phase, 50 Hz** Fuse: 40 A (slow) Engine: 18.5 kW Voltage: 24 V Protec. class: IP 55

We reserve the right to make changes to specifications without prior notice. * Density varies with type of material. ** Other voltages are available

Orwak AB
Svetsaregatan 4
S-576 33 Sävsjö
SWEDEN
Tel: +46-(0)382-157 00
info@orwak.com, www.orwak.com

ORWAK[®]
PART OF **SULO** GROUP