

# PM 309

## Automatic plastic strapping machine



Enhanced strapping machine model for wide strapping

# PM309

## Automatic plastic strapping machine

The PM 309 is the enhanced model automatic strapping machine for wide strapping (8 - 12mm). With the enhanced features, PM309 is the most powerful machine and the best price/performance ratio product in its class for wide straps general purpose application.

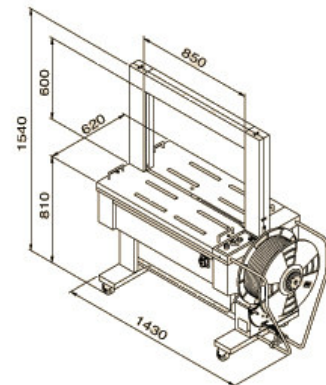
### Features

- CE certified
- Proven quality
- Competitive price
- Bundles and cartons can be strapped very easily and quickly
- User-friendly and easy strap coil change
- Easy operation, simple maintenance
- Electronic outside tension control
- Tension can be easily set with a dial
- Mobile, on wheels with brakes
- Auto strap reefed
- Strap end ejector
- Short feed sensor and foot switch included



### Technical Data

Strap quality	Polypropylene PP
Strap dimension	widths 8.0 - 12.0 mm thickness 0.55 - 0.75 mm
Strap tension	adjustable, 70 - 700N
Sealing method	heat welding
Speed	29 cycles/minute
Power supply	230V / 50Hz
Power consumption	1.2 kWh
Dimensions	Length 1430 mm Width 620 mm Table height 810 mm
Weight	220 kg



مؤسسة فصول الخليج لمعدات وأدوات التغليف  
GULF SEASON STRAPPING & PACKAGING SYSTEMS

Dammam Head Office: Tel: +966 (13) 847 3734 / 847 3735, Fax: +966 (13) 847 3740  
Riyadh Branch: Tel: +966 (11) 438 9060, Fax: +966 (11) 438 9061  
Jeddah Branch: Tel: +966 (12) 602 0241, Fax: +966 (12) 602 0167  
Website: www.gspackaging.net  
E-mail: sales@gspackaging.net, info@gspackaging.net