

PM 308

Automatic plastic strapping machine



Economy strapping machine model for wide strapping

PM308

Automatic plastic strapping machine

The PM 308 is an economic model automatic strapping machine for wide strapping (8 - 15.5 mm). With proven quality and competitive price, it is the most cost effective solution for wide strapping general purpose application.

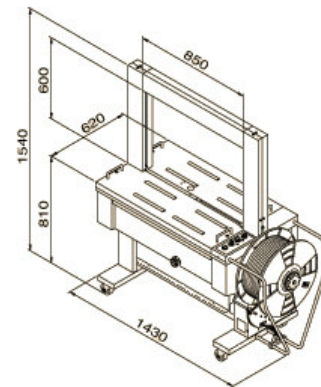
Features

- CE certified
- Proven quality
- Competitive price
- Bundles and cartons can be strapped very easily and quickly
- User-friendly and easy strap coil change
- Easy operation, simple maintenance
- Mechanical outside tension control
- Tension can be easily set with a dial
- Mobile, on wheels with brakes
- Short feed sensor and foot switch included



Technical Data

Strap quality	Polypropylene PP
Strap dimension	widths 8.0 - 15.5 mm thickness 0.55 - 0.75 mm
Strap tension	adjustable, 100 - 700N
Sealing method	heat welding
Speed	27 cycles/minute
Power supply	230V / 50Hz
Power consumption	1.2 kWh
Dimensions	Length 1430 mm Width 620 mm Table height 810 mm
Weight	220 kg



مؤسسة فصول الخليج لمعدات وأدوات التغليف
GULF SEASON STRAPPING & PACKAGING SYSTEMS

Dammam Head Office: Tel: +966 (13) 847 3734 / 847 3735, Fax: +966 (13) 847 3740
Riyadh Branch: Tel: +966 (11) 438 9060, Fax: +966 (11) 438 9061
Jeddah Branch: Tel: +966 (12) 602 0241, Fax: +966 (12) 602 0167
Website: www.gspackaging.net
E-mail: sales@gspackaging.net, info@gspackaging.net