

PM 207

Semi-automatic plastic strapping machine



The enhanced new generation strapping machine model solution for low to medium volume strapping.

PM207

Semi-automatic plastic strapping machine

The PM207 is the enhanced semi-automatic machine solution for semi-automatic low to medium volume strapping. With 30% less moving parts than conventional machines, the compact mechanical control head substantially reduces maintenance issues.

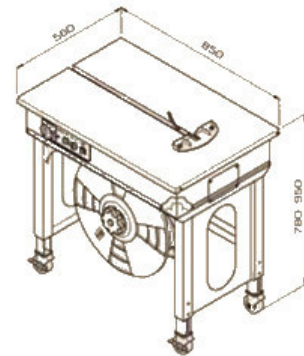
Features

- CE certified
- Proven quality
- Light, compact design
- Easy operation, simple maintenance
- Compact mechanical control head with 30% less moving parts
- Electronic outside tension control
- Sensor controlled heater
- Automatic motor stop to save energy
- Reliable P.C. board electric control
- Adjustable table height
- Safety limit switch included



Technical Data

Strap quality	Polypropylene PP	
Strap dimension	widths	5.0 - 13.0 mm
	thickness	0.45 - 0.65 mm
Strap tension	adjustable,	80 - 450N
Sealing method	heat welding	
Power supply	230V / 50Hz	
Power consumption	0.3 kWh	
Dimensions	Length	850 mm
	Width	560 mm
	Table height	780 - 950 mm
Weight	70 kg	



GS PACKAGING

مؤسسة فصول الخليج لمعدات وأدوات التغليف
GULF SEASON STRAPPING & PACKAGING SYSTEMS

Dammam Head Office: Tel: +966 (13) 847 3734 / 847 3735, Fax: +966 (13) 847 3740
Riyadh Branch: Tel: +966 (11) 438 9060, Fax: +966 (11) 438 9061
Jeddah Branch: Tel: +966 (12) 602 0241, Fax: +966 (12) 602 0167
Website: www.gspackaging.net
E-mail: sales@gspackaging.net, info@gspackaging.net