

# PM 206

## Semi-automatic plastic strapping machine



The most economical strapping machine model solution for low to medium volume strapping.

# PM206

## Semi-automatic plastic strapping machine

The PM206 is the most economical semi-automatic machine solution for every budget. With proven quality and a very competitive price, it is probably your best choice for semi-automatic low to medium volume strapping.

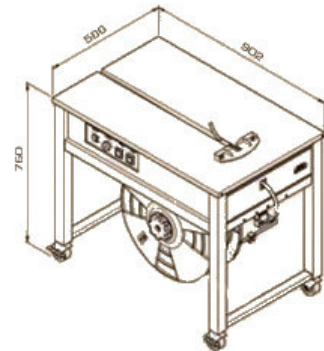
### Features

- CE certified
- Proven quality
- Very competitive price
- Light, compact design
- Hinged stainless top plate
- Easy operation, simple maintenance
- Mechanical outside tension control
- Rigid castors with brake
- Automatic motor stop to save energy
- Reliable P.C. board electric control
- Safety limit switch included



### Technical Data

Strap quality	Polypropylene PP
Strap dimension	widths 6.0 - 15.5 mm thickness 0.50 - 0.75 mm
Strap tension	adjustable, 150 - 450N
Sealing method	heat welding
Power supply	230V / 50Hz
Power consumption	0.25 kWh
Dimensions	Length 902 mm Width 586 mm Table height 760 - 930 mm adjustable
Weight	85 kg



**GS PACKAGING**

مؤسسة فصول الخليج لمعدات وأدوات التغليف  
GULF SEASON STRAPPING & PACKAGING SYSTEMS

Dammam Head Office: Tel: +966 (13) 847 3734 / 847 3735, Fax: +966 (13) 847 3740  
Riyadh Branch: Tel: +966 (11) 438 9060, Fax: +966 (11) 438 9061  
Jeddah Branch: Tel: +966 (12) 602 0241, Fax: +966 (12) 602 0167  
Website: www.gspackaging.net  
E-mail: sales@gspackaging.net, info@gspackaging.net