

# EDGE PROTECTION SOLUTION



شركة سيزن ليد ادج للصناعات الورقية ذ.م.م  
SEASON LEAD EDGE PAPER INDUSTRIES CO. W.L.L

## Cornerboard is an Excellent Product for Package Protection

Damage caused during transport and handling is a problem for manufacturers and distributors. This is why a number of producers and packaging experts have chosen Cornerboard protection as a solution.

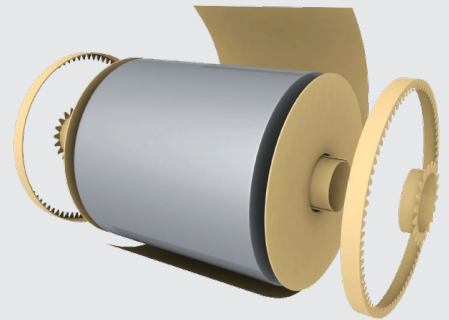
## ECONOMY AND COST SAVINGS

By using Cornerboard, we aim to offer the customer a measurable advantage.



## FLEXIBLE PROTECTION

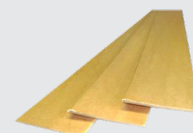
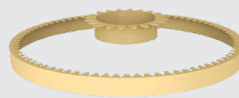
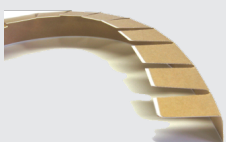
Specifically designed for product protection of different shapes. Provides safety and prevents damages during storage or transit.



## RAW MATERIAL

The standard Cornerboard is manufactured by laminating several layers of strong paperboard into a rigid right angle. Our packaging solution with Cornerboard

- Replaces expensive packaging material
- Saves work and material
- Is environmentally friendly
- Is suitable for food packaging and can be sent all over the world without any need of extra treatment, such as the fumigation required for wooden material
- Allows optimise transportation space by multiple - stacking
- Strengthens package and minimizes transport damage



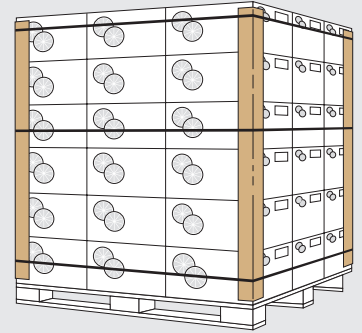
# EDGE PROTECTION SOLUTION



شركة سيزن ليد ادج للصناعات الورقية ذ.م.م  
SEASON LEAD EDGE PAPER INDUSTRIES CO. W.L.L

## PALLETIZATION & VERTICAL PROTECTION

Cornerboard stabilises the pallets and provides protection during transport and warehousing.



## STRENGTHENING PACKAGING UNITS

The strength of a single package can be improved by reinforcing boxes internally with Cornerboard.



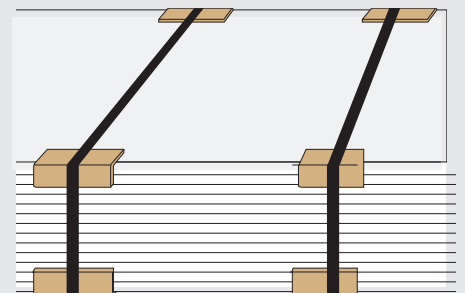
## STACKING STRENGTH

Choosing the right Cornerboard for strengthening units will enable you to optimise space by multiple stacking.



## STRAPPING PROTECTION

Protecting edge against strapping damage.



## WRAP-AROUND CORNERBOARD

The flexible wrap-around Corner Board is easy to use for inside or outside protection of reels/rolls.



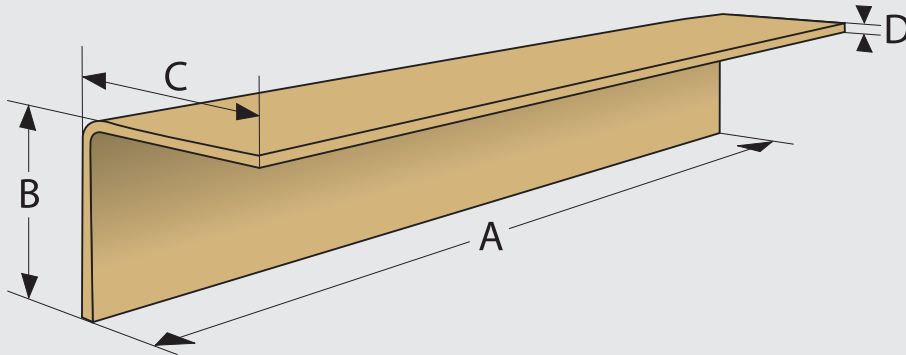


# EDGE PROTECTION SOLUTION



شركة سيزن ليد ادج للصناعات الورقية ذ.م.م  
SEASON LEAD EDGE PAPER INDUSTRIES CO. W.L.L

## CORNERBOARD SIZES



- A. CB Length
- B. Leg Length
- C. Leg Length
- D. Thickness

### Qualities

Corner Board can be delivered in a variety of surfaces are available in brown, white color & golden yellow or printed.

### Cold Lamination (Bio)

Laminated with a glue under high pressure. The selected raw materials are all of high quality and 100% recyclable. An excellent protection against moisture and dampness. Made of high quality recycled kraft board which is cold laminated at high pressure to form a profile element, that offers superb stability even when there are major fluctuations in moisture levels. Environmentally- friendly and recyclable.

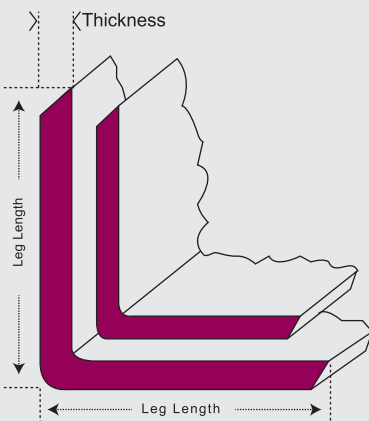
### Options

- Self-adhesive Peel & Stick Corner Boards
- Wrap-around Corner Boards for round objects
- Corner boards with soft foam

### Printing

Company names, logos and advertisements can easily be printed during the manufacturing process.

### Standard Dimensions



### Thickness

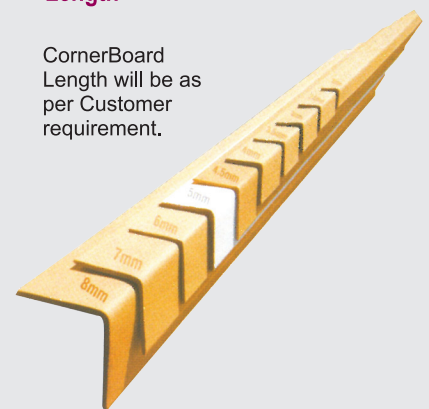
2.0 mm
2.5 mm
3.0 mm
3.5 mm
4.0 mm
4.5 mm
5.0 mm
6.0 mm
7.0 mm
8.0 mm

### Leg Length

30 x 30 mm
35 x 35 mm
40 x 40 mm
45 x 45 mm
60 x 60 mm
75 x 75 mm
85 x 85 mm

### Length

CornerBoard Length will be as per Customer requirement.



Special Products : Unequal leg lengths  
Printed CornerBoard & Poly coated CornerBoard  
Quick Stick CornerBoard

# EDGE PROTECTION SOLUTION



شركة سيزن ليد ايج للصناعات الورقية ذ.م.م  
SEASON LEAD EDGE PAPER INDUSTRIES CO. W.L.L

## CORNERBOARD

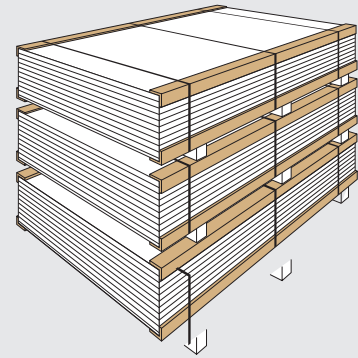
Protection, stability and stacking strength

Small lengths of Corner Board which can be applied under steel or plastic strap so that the strap does not cut into the product or the carton when it is tensioned.



## PROTECTION OF EDGES

Cornerboard protect and support products during any handling operations.



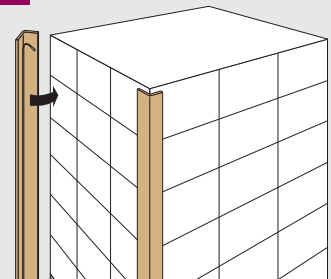
## INNER/OUTER DIAMETER PROTECTORS

Inner/outer diameter protectors protects the edges of circular reel from edge damages



## SELF-ADHESIVE

The use of self-adhesive Cornerboard improves handling by keeping Cornerboard in place before final strapping is applied.



Sustainable packaging is your contribution to the environment



P.O. Box 886, Manama, Kingdom of Bahrain



+973-17 704647



+973-17 704648



info@season-leadedge.com



www.season-leadedge.com